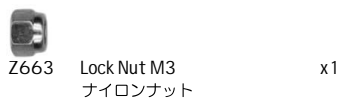
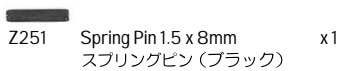
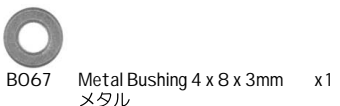
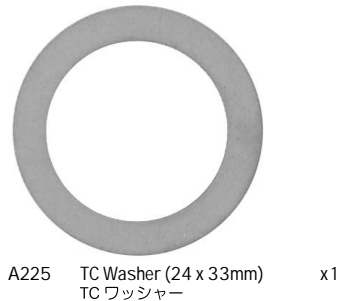
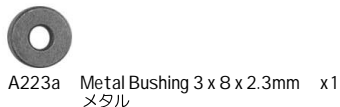
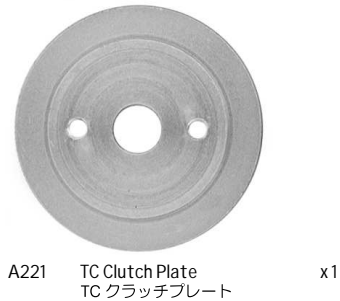
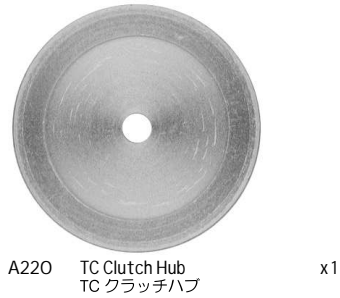
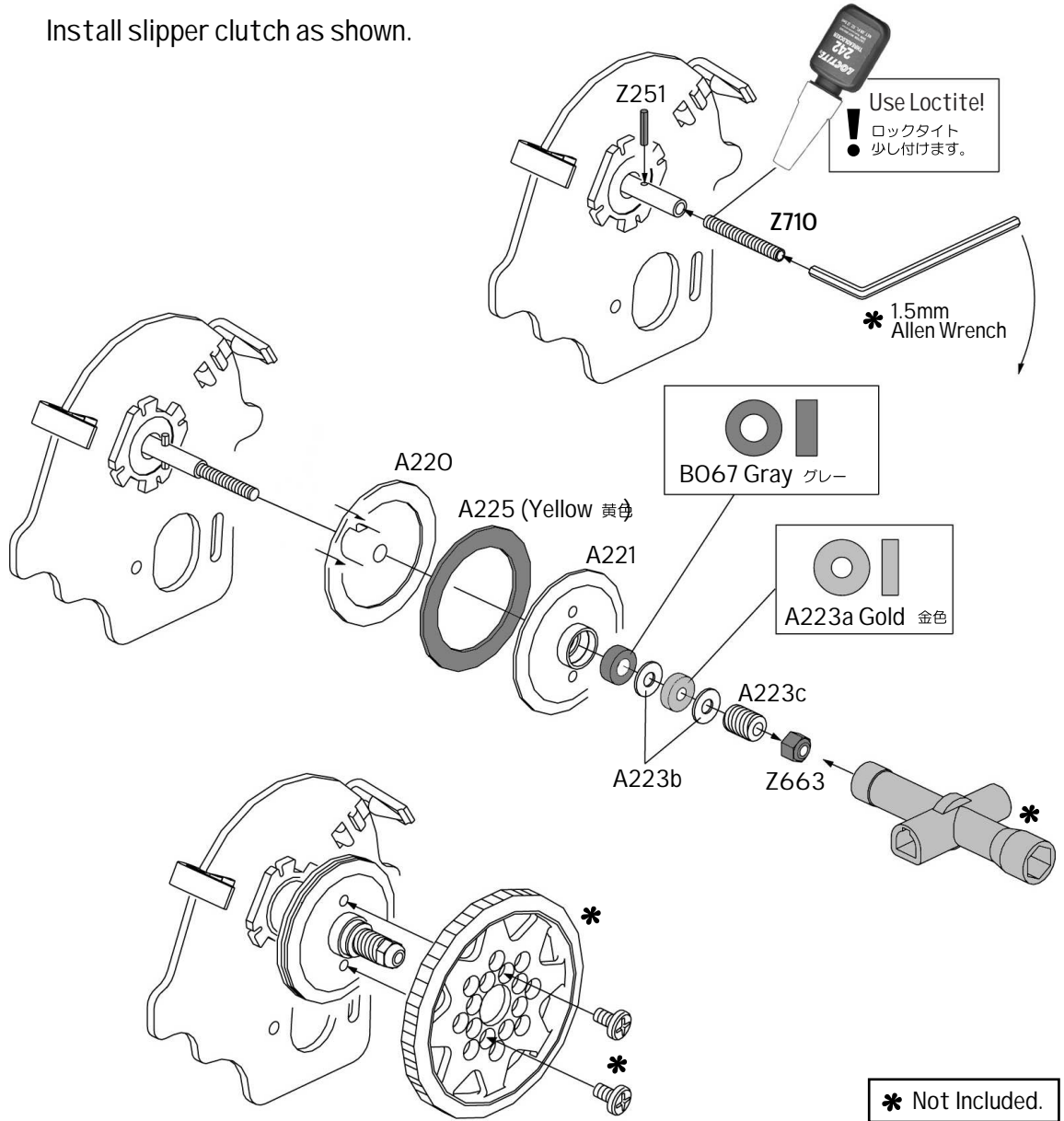


A507

SLIPPER CLUTCH SET FOR RS4



Install slipper clutch as shown.



Slipper Clutch Adjustment.

The Traction Control Clutch provides smooth acceleration on slippery surfaces and protection for the belts and gears. Adjust the Traction Control Clutch so that the clutch slips enough to protect the gears and belts from damage when landing from jumps. To adjust, hold both rear tires and spin the spur gear with your thumb. Tighten the nut for less slippage. Loosen the nut for more slippage on slippery surfaces.

スリッパークラッチの調整

スムーズなドライビングとギヤなどの破損を最小限にします。図の様に両方のタイヤを抑えてギヤが硬く回る様に調整します。滑りやすい路面では柔らかめにセットします。グリップのいい路面では硬めにセットするといいでしょ。

