

Explanation of letters in the columns:

a = original RC10 kits

b = Graphite RC10

c = Champ. Ed. RC10 kits

d = RC10 Team Car kits

e = RC10 Worlds Car kits

all = all above kits

[Click part number
to search eBay](#)

Click part number

Kit Part # Description Qty Price Kit Part # Description Qty Price

to search eBay

**1:10 RC10 OFF ROAD
CATALOG** (includes discontinued items)

CLEAR BODIES

cd	Part #	Description	Qty	Price
	6121	VIPER single seat buggy	1	14.00
	6122	ASSOCIATED RC10T TRUCK. Fits RC10 after conversion to RC10T	1	18.00
	6130	RC10T ASSOCIATED TEAM TRUCK (slightly narrower than #6122 kit body). Fits RC10 after conversion to RC10T	1	18.00
	6132	T2 RACING TRUCK BODY, clear Lexan		18.00
a	6160	PROTECH BUGGY	1	14.00
	6161	SIDEWINDER single seat buggy	1	14.00
	6162	COUGAR OUTLAW oval full-fendered	1	18.00
	6163	SPRINTER #1	1	14.00
b	6173	PROTECH II updated Buggy	1	14.00

BODY ACCESSORIES

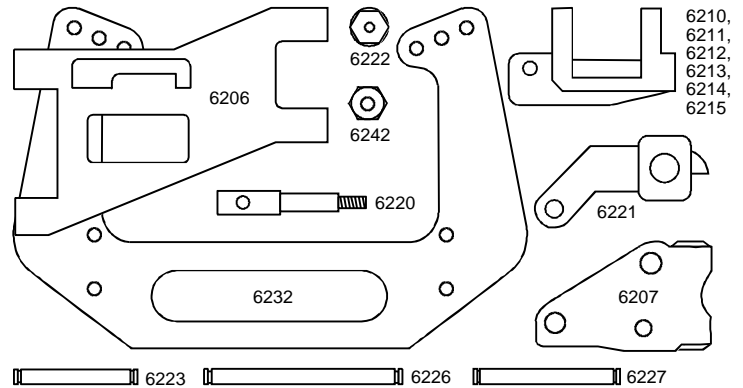
	6110	MOLDED PLASTIC WING, neon pink		6.00
	6111	MOLDED PLASTIC WING, black		6.00
	6112	MOLDED PLASTIC WING, white		6.00
	6113	MOLDED PLASTIC WING, neon green		6.00
	6114	MOLDED PLASTIC WING, red		6.00
all	6180	DRIVER, clear	1	2.00
all	6181	HIGH DOWN FORCE WING KIT, includes #6182 wing, #6190 wing mounts and wire (used in current RC10 car kits)	1	3.50
cde	6182	HIGH DOWN FORCE WING, 5 1/2"	1	2.00
	6183	HIGH DOWN FORCE WING, 7"	1	2.00
	6184	WING, small, 2 X 4.5, plastic only	1	1.50
ab	6185	WING KIT, 2 X 4.5, adjustable mounts	1	3.50
	6186	WING, large, 2.5 X 6, plastic only	1	2.00
	6187	WING KIT, 2.5 X 6, adjustable mounts	1	4.00
	6188	SPRINT WING, with side dam	1	4.00
	6189	SPRINT WING KIT w/side dam, hardware	1	8.00
all	6190	WING MOUNTS, adjustable (Wing-Things)	pr	1.75
	6193	SUPER WING THINGS, aluminum	pr	3.50
	7185	TRUCK REAR BODY SPOILER, Lexan	1	2.00

DECALS

cde	6196	DECAL SHEET 6 1/2" X 6 1/2", 5 colors; misc. sponsors	1	2.00
	3817	TEAM ASSOCIATED LOGO BUMPER STICKERS, 1 large, 1 small. Red, white, blue	1	4.00
	3818	TEAM ASSOCIATED logo decals, black, 6 logos	1	1.00
	3819	TEAM ASSOCIATED logo decals, white, 6 logos	1	1.00
	3807	"RC10" DECALS, 3 sizes, fluores. red & yel	1	2.00
	3808	"RC10T" DECALS, 3 sizes, fluores. red & yel	1	2.00
	3809	"RC12L" DECALS, 3 sizes, fluores. red & yel	1	2.00
	3810	"RC10L" DECALS, 3 sizes, fluores. red & yel	1	2.00
	3811	RC10GT DECALS, 2 sizes of "RC10GT", fluores. red & yellow with "GT" in white smoke	1	2.00

	3812	RC10T2 DECAL, 3 sizes of "RC10T2," fluor.	1	2.00
	7195	RC10T TRUCK DECAL SHEET, for #6122 body	1	4.00
	7196	RC10T TEAM TRUCK DECAL SHEET, for #6130 body	1	4.00
	7198	T2 RACING TRUCK DECAL SHEET. 8.5 x 10" 6 colors. Realism for the #6132 T2 Truck body.	1	4.00

FRONT SUSPENSION

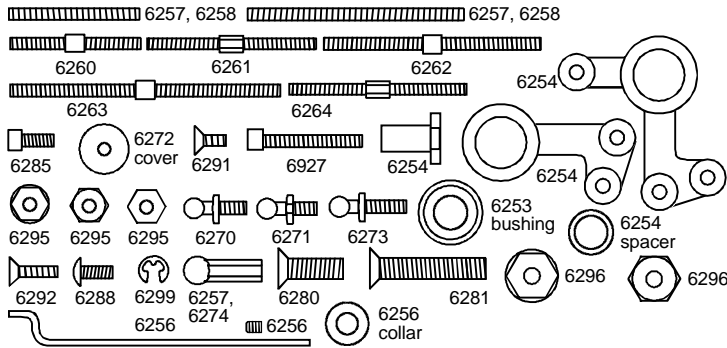


a	6200	FRONT SUSPENSION KIT, no shocks	1	26.00
bcde	6202	FRONT SUSPENSION KIT, wide track	1	30.00
a	6201	FRONT ANTIROLL BAR KIT	1	7.00
a	6205	FRONT A-ARMS	pr	4.00
bcde	6206	FRONT A-ARMS, black composite material, wide track	pr	6.00
all	6207	FRONT SUSPENSION MOUNT	pr	2.00
cde	6210	FRONT BLOCK CARRIER, 30° caster. (New standard kit)	pr	3.00
	6211	FRONT BLOCK CARRIER, 5° caster	pr	4.50
	6212	FRONT BLOCK CARRIER, 10° caster	pr	4.50
ab	6213	FRONT BLOCK CARRIER, 15°	pr	3.00
	6214	FRONT BLOCK CARRIER, 20° caster	pr	4.50
	6215	FRONT BLOCK CARRIER, 25° caster	pr	4.50
a	6216	FRONT STEERING BLOCK	pr	2.00
b	6217	INLINE STEERING BLOCK, use with 6218	pr	2.00
b	6218	INLINE FRONT AXLE, use with #6217	pr	5.00
a	6219	FRONT STUB AXLE, with clips, nuts	pr	5.00
cde	6220	ALUMINUM FRONT INLINE AXLES. Axle thread is now 5-40, not 4-40. Uses #6222 black nylon locknut	pr	6.00
cde	6221	INLINE STEERING BLOCK, for alum. axles	pr	2.00
cde	6222	SELF-THREADING NYLON LOCKNUT, for #6220 axles	8	2.00
all	6223	KINGPIN, with clips	pr	2.50
a	6224	SHOCK PIN, with set screws	pr	2.50
all	6226	HINGE PIN, inner, with clips	pr	2.50
all	6227	HINGE PIN, outer, with clips	pr	2.50
bcd	6231	FRONT SHOCK STRUT	1	5.00
e	6232	FRONT SHOCK STRUT, graphite composite	1	13.00
a	6235	4-40 THREADED ROD, (upper link)	pr	1.00

Click part number
to search eBay

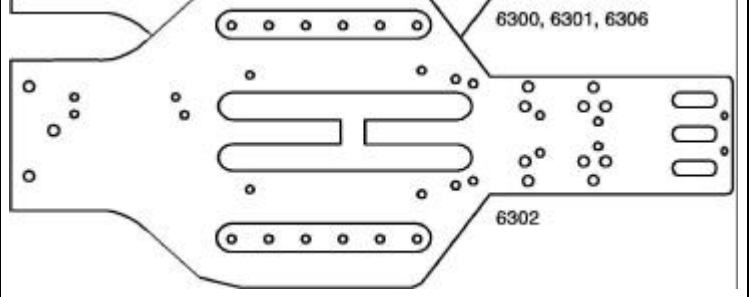
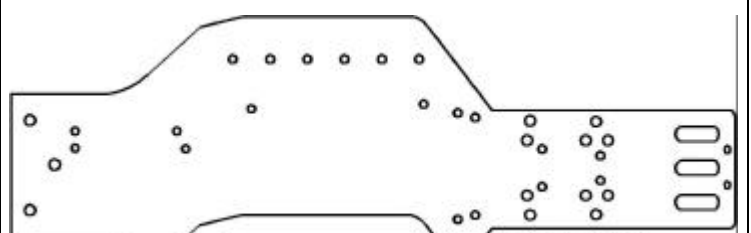
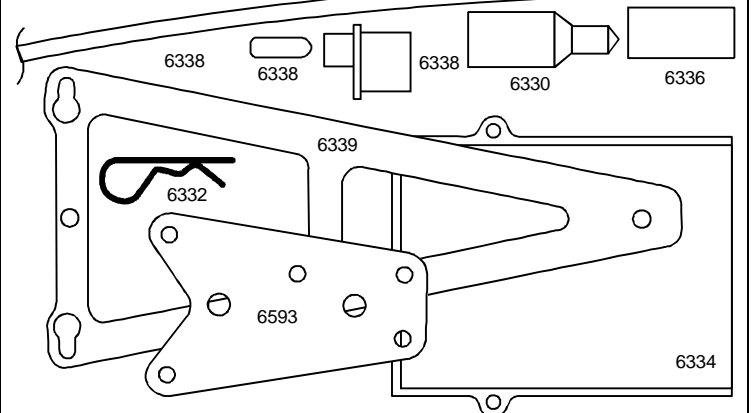
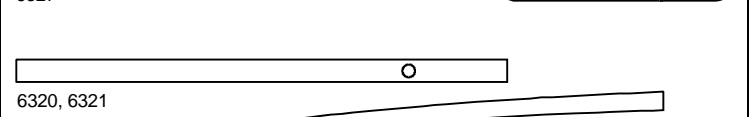
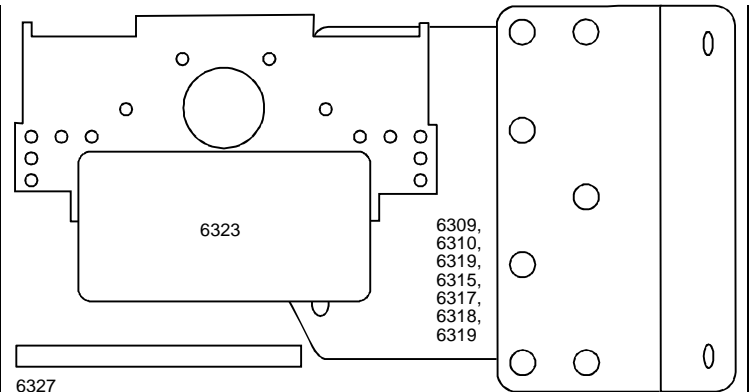
Kit	Part #	Description	Qty	Price
a	6240	REBUILD KIT, (screws/clips/pins etc.)	1	12.00
all	6241	FRONT END SCREW SET, 10 screws	1	2.00
abcd	6242	FRONT WHEEL LOCKNUT, 4-40	6	1.00

FRONT END LINKAGE



cd	6250	SERVO SAVER, linkage, tie rod kit (6-2)	1	11.00
abcd	6255	SERVO SAVER, plastic only, 2 complete	1	2.50
e	6252	BELL CRANK STEERING KIT, with #6253 bushings (can be used with #897 1/4" x 3/8" flanged ball bearings)	1	7.00
e	6253	BUSHING, 1/4" x 3/8" flanged for #6252 bell crank steering	4	2.00
e	6254	BELL CRANK STEERING, plastic only	set	2.50
abcd	6256	LINKAGE, "z"-wires and collars	1	2.00
a	6257	TIE ROD SET, with ends	1	5.50
a	6258	TIE ROD SET, rods only	1	2.00
bcd	6259	TURNBUCKLE, "Adjustable Tie Rod" set, with 7 turnbuckles, 14 cups	set	16.00
all	6260	TURNBUCKLE, 1"	2	3.00
a	6261	TURNBUCKLE, 1.25"	2	3.00
e	6264	TURNBUCKLE, 1.375"	2	3.00
cde	6262	TURNBUCKLE, 1.65"	2	3.00
cde	6263	TURNBUCKLE, 2.06"	2	3.00
all	6270	SHORT BALL END, steel (4-40 threaded ball studs), with plastic end caps	2	2.50
all	6271	SHORT BALL END, steel (4-40 threaded ball studs), with plastic end caps (6-14)	12	10.00
bcde	6273	LONG BALL END, steel (4-40 long threaded ball studs), with plastic end caps. 1/10" longer thread than #6270	2	2.50
all	6272	BALL CUP DUST COVER	28	2.00
all	6274	BALL CUP, spares for 6270, 6271, nylon	14	5.00
all	6280	8-32 X 1/2 ALUM. FLAT HEAD screw	16	2.00
all	6281	8-32 X 7/8" ALUM. FLAT HEAD machine screw	6	2.00
	6284	4-40 X 1/4" ALUM. SOCKET HEAD CAP	12	4.00
all	6285	4-40 X 1/4" SOCKET HEAD CAP, steel	12	2.00
all	6288	4-40 X 1/4" BUTTON HEAD SOCKET screw	6	2.00
d	6291	4-40 X 1/4" FLAT HEAD SOCKET screw	6	2.00
all	6292	4-40 X 3/8" FLAT HEAD SOCKET screw	6	2.00
all	6295	4-40 NUT, 6 each plain nut, nylon and steel locknut	18	2.00
all	6296	8-32 LOCKNUT, 6 each alum. and nylon	12	3.00
all	6299	E-CLIP, for 1/8 shaft	12	1.00

CHASSIS PARTS



ac	6300	CHASSIS TUB, gold anodized	1	35.00
d	6301	CHASSIS TUB, black anodized Use #6302	1	35.00
e	6302	CHASSIS TUB, hard anodized black and NOT MILLED incl. nosepiece & motor mount	1	30.00
	6306	CHASSIS TUB, neon lime green	1	35.00
de	6309	NOSE PLATE, black anodized	1	9.00
ac	6310	NOSE PLATE, gold anodized	1	8.00
b	6311	BRACE, motor mount to chassis (for graphite	1	4.00

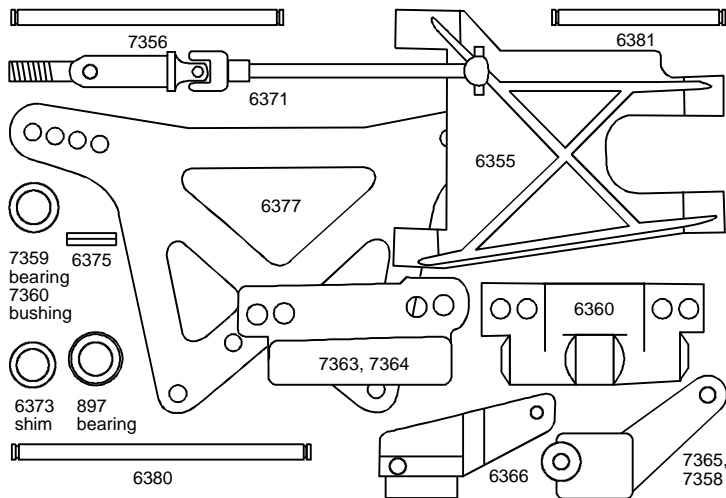
Click part number

to search eBay

Kit Part # Description Qty Price Kit Part # Description Qty Price

		chassis #6305 only)		
	6312	CLEAR CHASSIS PROTECTIVE SHEET to protect the chassis finish, 6 1/2" X 18"	1	6.50
	6315	NOSE PLATE, neon hot pink	1	11.00
	6317	NOSE PLATE, blue	1	11.00
	6318	NOSE PLATE, neon lime green	1	11.00
	6319	NOSE PLATE, yellow	1	11.00
ac	6320	NOSE BRACE TUBES, use #6231	2	
de	6321	NOSE BRACE TUBES, black anodized	2	5.00
all	6323	REAR BULKHEAD, new updated design	1	4.00
abcd	6325	TRANSMISSION BRACE	1	2.00
e	6593	GRAPHITE TRANSMISSION BRACE for tranny only	1	5.00
all	6327	WING TUBE	2	1.00
all	6330	BODY MOUNT KIT, w/hardware (bag 6-5)	1	2.00
all	6332	HOOD PIN	6	.75
all	6334	BATTERY CUP, w/straps, hardware (6-7)	2	6.00
abcd	6335	BATTERY HOLD-DOWN STRAP	pr	2.50
all	6336	SERVO MOUNT, w/ hardware (bag 6-6)	4	2.00
all	6338	ANTENNA KIT, with hardware	1	2.00
e	6339	FIBERGLASS BATTERY HOLD DOWN STRAP for 6-cell battery pack mounted front to rear in chassis	1	7.00

REAR SUSPENSION

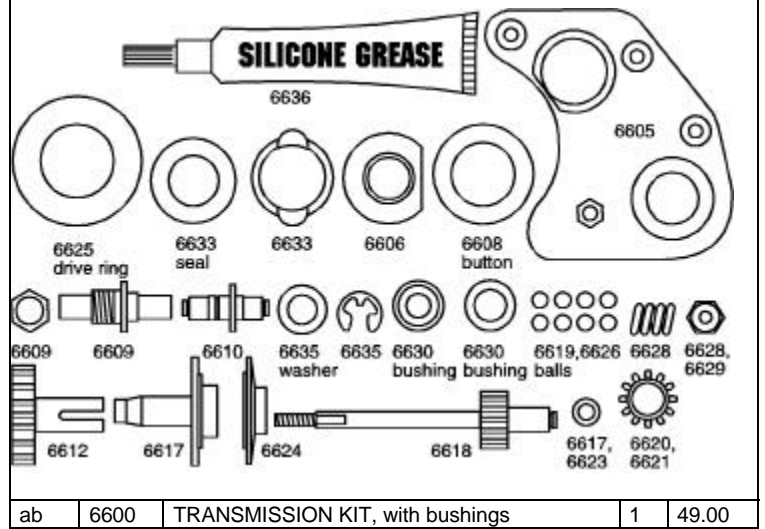
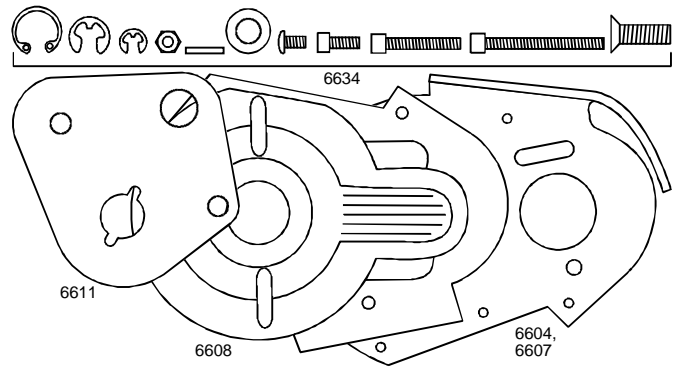


Toe-in degrees refer to one side of vehicle.

c	6350	REAR SUSPENSION KIT, no shocks (bag 6-8)	1	35.00
	6351	REAR ANTI-ROLL BAR KIT	1	7.00
all	6355	REAR A-ARM, black composite material	pr	5.00
all	6360	REAR SUSP. MOUNT, 1.5° toe-in per side	pr	2.00
bde	897	BALL BEARING, 1/4 X 3/8 flanged. Fits #6365 and 6366 rear hub carriers.	2	13.00
a	6365	REAR HUB CARRIER, uses 1/4 X 3/8 flanged bearing #897.	pr	3.00
bcde	6366	REAR HUB CARRIER, black composite material. 1.5° toe-in per side. Used with #6360 rear mounts gives 3° toe-in per side. Uses 1/4" x 3/8" flanged bearing #897	pr	4.50
ac	6370	DOGBONE (rear half-shaft)	1	6.00
bde	6371	UNIVERSAL DOGBONE AXLE use #6374		
ac	6372	DOGBONE SPRING and spacers	4	.75
bde	6373	SPACER for #6371	10	1.50
ac	6374	REAR STUB AXLE, with roll pin	1	5.00

all	6375	ROLL PIN for stub axle (Fits only #6371 or #6374 axles)	6	.75
e	6377	REAR SHOCK STRUT, graphite composite	1	11.00
abcd	6378	REAR SHOCK STRUT	1	4.50
ab	6380	HINGE PIN, rear, inner	2	3.00
all	6381	HINGE PIN, rear, outer	2	2.50
cde	7356	HINGE PIN, rear, inner	2	3.00
a	6385	4-40 X 1 1/4 threaded rod (upper link)	2	1.00
ac	6387	AXLE BUSHING, 1/4 X 3/8 X .400 and washer. Fits #6365 and #6366 rear hub carriers	2	1.00
ac	6388	CONE WASHER, 1/4 X .400 X .006	4	1.00
	6390	KNOCKOFFS, rear wheel 8-32 nylon wing nuts	4	1.00
cde	6394	REBUILD KIT, screws, clips, pins, etc.	1	10.00
	7364	REAR SUSPENSION MOUNT, 0° toe-in	pr	2.00
	7363	REAR SUSPENSION MOUNT, 3° toe-in	pr	2.00
	7365	REAR HUB CARRIER, 0° toe-in per side (uses 1/4 X 3/8 unflanged bearing #7359)	pr	3.50
	7358	REAR HUB CARRIER, 3° toe-in per side (uses 1/4 X 3/8 unflanged bearing #7359)	pr	3.50
	7359	BALL BEARING, 1/4 X 3/8 unflanged, fits #7358 & 7365 rear hub carriers	pr	15.00
	7360	BUSHING, 1/4 X 3/8 unflanged, fits #7358 & 7365 rear hub carriers	4	2.00
cde	3438	ALUMINUM LOCK NUT, 8-32	3	1.50
	8182	SPECIAL NUT, 8-32, alum. plain nut. Used for rear suspension mount	6	2.00

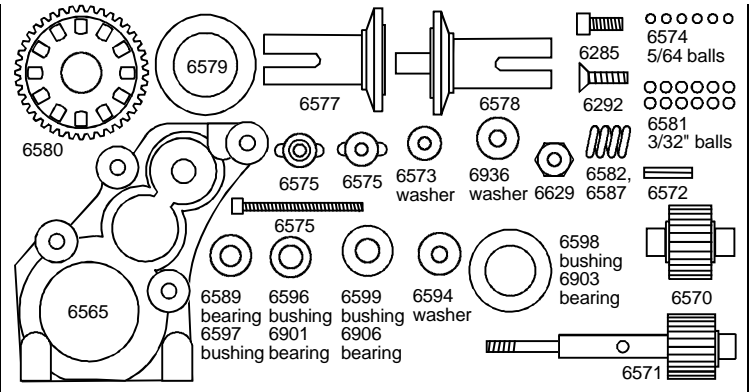
TRANSMISSION



ab	6600	TRANSMISSION KIT, with bushings	1	49.00
----	------	---------------------------------	---	-------

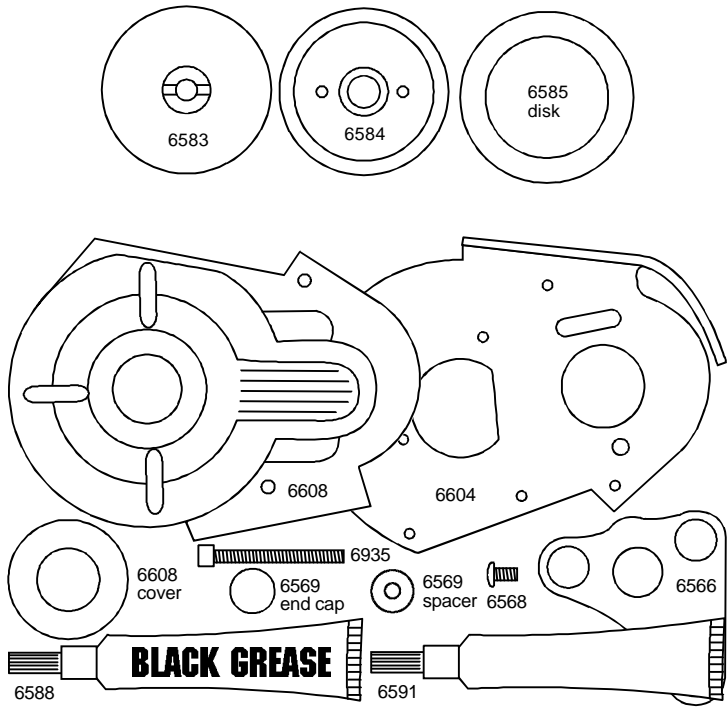
Click part number
to search eBay

Kit	Part #	Description	Qty	Price	Kit	Part #	Description	Qty	Price
ab	6605	HOUSING, left and right	pr	5.00					
ab	6606	BEARING ADAPTER	2	1.50					
abc	6607	MOTOR MOUNTING PLATE, gold anodized. Also fits Associated transmission.	1	6.00					
de	6604	MOTOR MOUNTING PLATE, black anodized. Also fits Associated transmission.	1	6.00					
all	6608	GEAR DUST COVER	1	1.00					
ab	6609	DRIVE GEAR PIVOT	1	4.00					
ab	6610	IDLE GEAR PIVOT	1	3.00					
ab	6611	SPINE (CENTER) PLATE	1	2.00					
ab	6612	AXLE DRIVE GEAR	1	6.00					
ab	6614	IDLE GEAR, black, precision, reinforced	pr	5.00					
ab	6617	DIFF TUBE, w/inner hub & PTFE bushings	1	7.00					
ab	6618	DIFF SHAFT, with left dif pinion	1	9.00					
	6619	DIFF BALL, 1/8" Carbide	8	8.00					
ab	6620	DIFF PINION, left (small hole)	1	4.00					
ab	6621	DIFF PINION, right, (large hole)	1	4.00					
ab	6623	DIFF PTFE BUSHING	2	1.50					
ab	6624	DIFF OUTER HUB	1	2.50					
ab	6625	DIFF DRIVE RING	2	1.50					
ab	6626	DIFF BALL	16	1.50					
ab	6627	DIFF THRUST BEARING SET	1	2.50					
ab	6587	TORQUE CONTROL SPRING & NUT	1	1.50					
abe	6629	DIFF LOCKNUT, 5-40	6	1.00					
ab	6630	TRANSMISSION OILITE BUSHING SET	1	3.00					
ab	6633	FELT SEAL	2	1.00					
ab	6634	TRANSMISSION E-CLIP and screw set	1	3.00					
ab	6635	E-CLIPS AND WASHER for #6610	3	1.00					
ab	6636	SILICON DIFF GREASE, 1/4 oz tub	1	2.50					



cde	6560	2.25:1 TRANSMISSION KIT, with bearings and Associated Torque Control	1	120.00
de	6563	COMPLETE TRANNY BALL BEARING SET	9	52.00
cde	6565	TRANSMISSION CASE, left & right sides, for 2.25:1 transmission	set	6.00
cde	6566	FELT GASKET	1	1.50
cd	6567	COMPLETE SCREW SET	10	2.50
cde	6568	SPUR GEAR SCREW	4	1.50
cde	6569	MOTOR PLATE SPACER & END CAP	set	1.50
cde	6570	IDLER SHAFT AND GEAR	set	3.50
cde	6571	DRIVE GEAR/SHAFT Assembly, w/roll pin	set	9.00
cde	6572	DRIVE SHAFT ROLL PIN	6	1.00
cde	6573	DIFF THRUST WASHER	2	3.00
cde	6574	PRECISION THRUST BALL, 5/64" (Replaces #6576)	6	2.00
cde	6575	DIFF THRUST BOLT, THRUST BEARING COVER, dogbone spacers & Locking T-nut	1	2.00
cde	6577	DIFF OUTDRIVE HUB, right, 2.25:1	1	7.50
cde	6578	DIFF OUTDRIVE HUB, left, 2.25:1	1	7.50
cde	6579	DIFF DRIVE RING, 2.25:1	2	1.50
cde	6580	DIFF GEAR, 2.25:1	1	2.50
cde	6581	CARBIDE DIFF BALL, large, 3/32"	12	12.00
cde	6582	DIFF THRUST SPRING	1	1.50
cde	6583	TORQUE CONTROL HUB, inner	1	7.50
cde	6584	TORQUE CONTROL HUB, outer	1	7.50
cde	6585	CLUTCH DISK	1	3.00
cde	6594	THRUST BEARING WASHER, replaces #6586 thrust bearing	set	2.00
cde	6587	TORQUE CONTROL SPRING & NUT	1	1.50
cde	6588	BLACK GREASE	1	2.50
cde	6589	DIFF BEARING, 5/32 X 5/16 unflanged	2	13.00
cde	6590	MOUNTING HOLE DRILL GUIDE, 2.25:1	1	2.00
cde	6591	TRANSMISSION DIFF LUBE	1	2.50
cde	6592	ALLEN WRENCH SET, 1/16, 5/64, 3/32	1	2.50
e	6593	GRAPHITE TRANSMISSION BRACE	1	5.00
all	6608	GEAR DUST COVER	1	1.00
cd	6901	BALL BEARING, 3/16 X 5/16 unflanged	pr	13.00
cde	6903	BALL BEARING, 3/8 X 5/8	2	20.00
cde	6906	BALL BEARING, 3/16 X 3/8	2	13.00
c	6595	COMPLETE BUSHING SET FOR TRANSMISSION	9	5.00
ce	6596	BUSHING, 3/16 X 5/16	2	1.00
c	6597	BUSHING, 5/32 X 5/16	2	1.00
c	6598	BUSHING, 3/8 X 5/8	2	1.50
c	6599	BUSHING, 3/16 X 3/8	4	2.00

ASSOCIATED TRANSMISSION

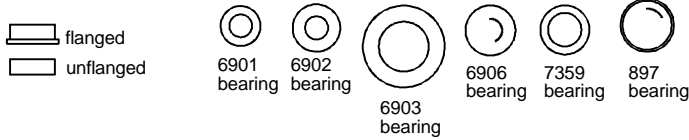


Click part number
to search eBay

Kit Part # Description Qty Price Kit Part # Description Qty Price

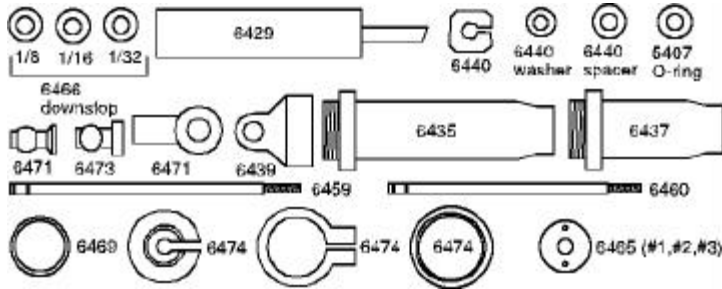
TQ WHEELS & TIRES

BALL BEARINGS



de	6563	COMPLETE ASSOCIATED TRANSMISSION BALL BEARING SET	9	52.00
	6901	3/16 X 5/16 BALL BEARING, unflanged	pr	13.00
bd	6902	3/16 X 5/16 BALL BEARING, flanged	pr	15.00
de	6903	3/8 X 5/8, BALL BEARING, unflanged, PTFE sealed	pr	20.00
	6905	BALL BEARING SET for early Championship Edition RC10's with standard transmission	set	80.00
ce	6906	3/8 X 3/16" BALL BEARING, unflanged	pr	13.00
	7359	1/4 X 3/8 BALL BEARING, unflanged	pr	15.00
bde	897	1/4 X 3/8 BALL BEARING, flanged	pr	13.00

SHOCKS



GOLD. Associated's standard shocks (#6420-#6428) are precision machined to very close tolerances.

c	6420	SHOCK, rear, 1.32 STANDARD	2	25.00
	6421	SHOCK, rear, 1.02 STANDARD	2	25.00
c	6422	SHOCK, front, 0.71 STANDARD	2	25.00
	6423	SHOCK, front, 0.56 STANDARD	2	25.00
c	6424	BODY, rear, 1.32 STANDARD	1	6.75
	6425	BODY, rear, 1.02 STANDARD	1	6.75
c	6426	BODY, front, 0.71 STANDARD	1	6.75
	6427	BODY, front, 0.56 STANDARD	1	6.75
c	6428	END CAP, plastic	1	2.25
bcde	6466	REAR SHOCK DOWNSTOP	6	1.50
cde	6429	SHOCK ASSEMBLY TOOL	1	1.00
cde	6440	REBUILD KIT for Standard and Racing shocks, for 4 shocks	set	4.00

GRAY. Associated's racing shocks (#6431-#6438) are hard anodized and PTFE coated precision machined shock bodies for long wear and superior performance.

de	6431	SHOCK, rear, 1.32 RACING	2	30.00
	6432	SHOCK, rear, 1.02 RACING	2	30.00
de	6433	SHOCK, front, .71 RACING	2	28.00
	6434	SHOCK, front, .56 RACING	2	28.00
de	6435	BODY, long rear, 1.32 RACING	1	8.50
	6436	BODY, short rear, 1.02 RACING	1	8.50
de	6437	BODY, long front, .71 RACING	1	7.75
	6438	BODY, short front, .56 RACING	1	7.75

de	6439	END CAP FOR GREY SHOCKS, aluminum	1	3.00
cde	6429	SHOCK ASSEMBLY TOOL	1	1.00
cde	6440	REBUILD KIT for Standard and Racing shocks, for 4 shocks	set	4.00
bcde	6466	REAR SHOCK DOWNSTOP	6	1.50

ORIGINAL GOLD

ab	6446	SHOCK, rear, 0.4 X 1.32 stroke	2	25.00
	6447	SHOCK, rear, 0.4 bore X 1.02 stroke	2	25.00
	6448	SHOCK, front, 0.4 bore X 0.71 stroke	2	25.00
ab	6449	SHOCK, front, 0.4 X 0.56 stroke	2	25.00
ab	6452	BODY, 0.4 bore X 1.32 stroke	1	6.00
	6453	BODY, 0.4 bore X 1.02 stroke	1	6.00
	6454	BODY, 0.4 bore X 0.71 stroke	1	5.50
ab	6455	BODY, 0.4 bore X 0.56 stroke	1	5.50
ab	6463	END CAP	1	3.00
ab	6467	REBUILD KIT, for 2 shocks, 0.4 bore	1	4.00

PARTS FOR ALL SHOCKS

abcd	6458	SHAFT, 1.32 stroke	1	3.00
e	6459	SHAFT, 1.02 stroke	1	3.00
cde	6460	SHAFT, 0.71 stroke	1	3.00
ab	6461	SHAFT, 0.56 stroke	1	3.00
	6411	HARD CHROMED SHOCK SHAFT, .56	1	5.00
all	6464	PISTON, all 0.4 bore shocks	4	3.00
	6416	UNOBTAINIUM SHOCK SHAFT, 1.32" stroke. Titanium carbonitride coated.	1	6.00
	6417	UNOBTAINIUM SHOCK SHAFT, 1.02" stroke. Titanium carbonitride coated.	1	6.00
	6418	UNOBTAINIUM SHOCK SHAFT, .71" stroke. Titanium carbonitride coated.	1	6.00
	6419	UNOBTAINIUM SHOCK SHAFT, .56" stroke, front	1	6.00
e	6465	PTFE SHOCK PISTON, 4 each of #1, #2 & #3. To adjust dampening.	12	3.00
all	5407	RED O-RING, replacements for shock rebuild kits #6440 and #6467	8	2.00
all	6469	O-RING, shock end-cap to body seals	4	1.50
all	6470	MOUNTING KIT, w/rod ends, for 2 shocks	1	4.50
all	6471	ROD END for 2 shocks, .230 ball	2	3.00
all	6473	SHOCK BUSHING	4	1.00
all	6474	SPRING CLAMP AND CUP, 4 sets	4	3.00

SHOCK OILS

	5416	SHOCK OIL, 10 wt, 1 oz bottle	1	1.25
	5415	SHOCK OIL, 20 wt, 1 oz bottle	1	1.25
abcd	5414	SHOCK OIL, 30 wt, 1 oz bottle	1	1.25
	5413	SHOCK OIL, 40 wt, 1 oz bottle	1	1.25
	5412	SHOCK OIL, 50 wt, 1 oz bottle	1	1.25
	5410	SHOCK OIL, 140 wt, 1 oz bottle	1	1.25
	5420	SILICONE SHOCK OIL, 10 wt, 2 oz bottle	1	3.50
	5427	SILICONE SHOCK OIL, 15 wt, 2 oz bottle	1	3.50
	5421	SILICONE SHOCK OIL, 20 wt, 2 oz bottle	1	3.50
	5428	SILICONE SHOCK OIL, 25 wt, 2 oz bottle	1	3.50
e	5422	SILICONE SHOCK OIL, 30 wt, 2 oz bottle	1	3.50
	5429	SILICONE SHOCK OIL, 35 wt, 2 oz bottle	1	3.50
	5423	SILICONE SHOCK OIL, 40 wt, 2 oz bottle	1	3.50
	5425	SILICONE SHOCK OIL, 80 wt, 2 oz bottle	1	3.50

PRECISION RACING SPRINGS

Note: All springs listed from soft to firm

REAR SPRINGS, 2.75" LENGTH

de	6481	Black, soft	2	1.50
cde	6480	Green, med.	2	1.50

Click part number
to search eBay

Kit Part # Description Qty Price Kit Part # Description Qty Price

abd	6478	Silver	2	1.50
	7434	Blue, soft, oval	2	1.50
ab	7435	Gold, med., oval	2	1.50
	7436	Red, firm, oval	2	1.50

LONG FRONT SPRINGS, 2" or 2.25" LENGTH

	7427	2.25", Green	2	2.00
	7428	2.25", Silver	2	1.50
	7429	2.0", Blue	2	1.50
	7425	2.0", Gold	2	1.50
	7430	2.0", Red	2	1.50

SHORT FRONT SPRINGS, 1.4" LENGTH

e	8232	Black, soft	2	2.50
cd	6494	Green, med.	2	2.50
abcd	6496	Silver, firm	2	1.50

32 PITCH GEARS

	6650	SPUR GEAR, 48 tooth	1	1.50
	6665	PRECISION MACHINED PINION, 11T	1	5.00
	6666	PRECISION MACHINED PINION, 12T	1	5.00
	6668	PRECISION MACHINED PINION, 14T	1	5.00
	6669	PRECISION MACHINED PINION, 15T	1	5.00
	6670	PRECISION MACHINED PINION, 16T	1	5.00
	6951	4-40 X 1/8" SET SCREW, with wrench	6	2.50

PRECISION SPUR GEARS FOR STANDARD TRANNY with dif ball holes

	8280	75 TOOTH, 48 PITCH	1	4.00
	8281	78 TOOTH, 48 PITCH	1	4.00
	8282	81 TOOTH, 48 PITCH	1	4.00
	8283	83 TOOTH, 48 PITCH	1	4.00
	8284	85 TOOTH, 48 PITCH	1	4.00
	8285	87 TOOTH, 48 PITCH	1	4.00

PRECISION MACHINED RACING PINION GEARS

	8252	15 TOOTH, 48 PITCH	1	6.00
	8253	16 TOOTH, 48 PITCH	1	6.00
	8254	17 TOOTH, 48 PITCH	1	6.00
	8255	18 TOOTH, 48 PITCH	1	6.00
	8256	19 TOOTH, 48 PITCH	1	6.00
	8257	20 TOOTH, 48 PITCH	1	6.00
	8258	21 TOOTH, 48 PITCH	1	6.00
	8259	22 TOOTH, 48 PITCH	1	6.00
	8260	23 TOOTH, 48 PITCH	1	6.00
	8261	24 TOOTH, 48 PITCH	1	6.00
	8262	25 TOOTH, 48 PITCH	1	6.00
	8263	26 TOOTH, 48 PITCH	1	6.00

PRECISION SPUR GEARS FOR ASSOCIATED TRANNY, no dif ball holes

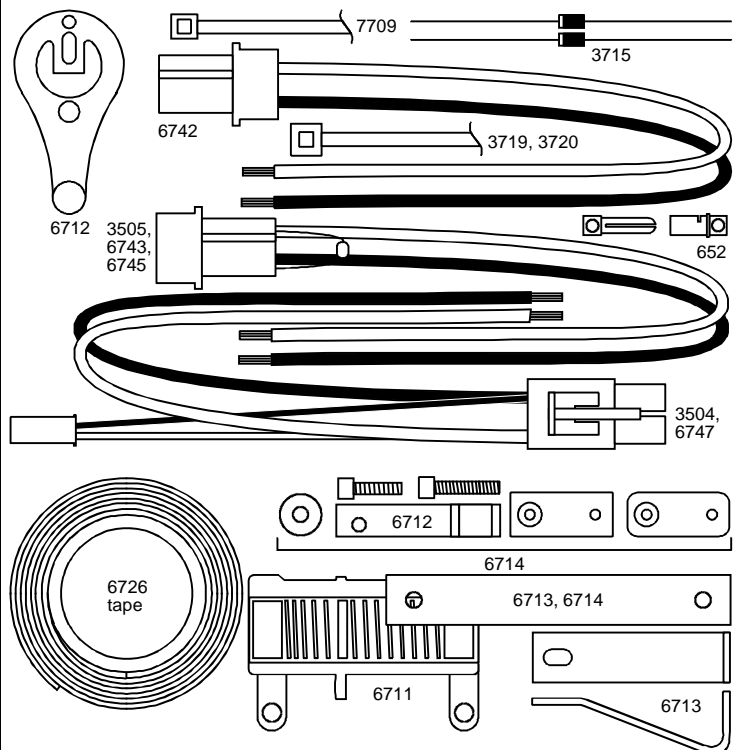
de	6693	81 TOOTH, 48 PITCH	1	4.00
	6694	85 TOOTH, 48 PITCH	1	4.00
	6695	87 TOOTH, 48 PITCH	1	4.00

	6697	83 TOOTH, 48 PITCH	1	4.00
--	------	--------------------	---	------

STOCK PINION GEARS

	6672	14 TOOTH, 48 PITCH	1	4.00
	6673	15 TOOTH, 48 PITCH	1	4.00
	6674	16 TOOTH, 48 PITCH	1	4.00
	6675	17 TOOTH, 48 PITCH	1	4.00
	6676	18 TOOTH, 48 PITCH	1	4.00
	6677	19 TOOTH, 48 PITCH	1	4.00
	6678	20 TOOTH, 48 PITCH	1	4.00
c	6679	21 TOOTH, 48 PITCH	1	4.00
	6680	22 TOOTH, 48 PITCH	1	4.00
	6681	23 TOOTH, 48 PITCH	1	4.00
	6682	24 TOOTH, 48 PITCH	1	4.00
	6683	25 TOOTH, 48 PITCH	1	4.00
	6684	26 TOOTH, 48 PITCH	1	4.00

ELECTRICAL



	3504	CONNECTOR, 2-pin JST mating pair, with pins	1	1.00
	3505	CONNECTOR, 2-pin AMP, mating pair	1	2.00
	3740	CONNECTOR, 3-pin AMP, mating pair	1	2.50
c	3715	Radio Voltage Dropping DIODE, .7 volts each	2	1.00
	3737	SILICON WIRE, 16 gauge, 2 ft orange, 2 ft black	1	5.00
	3719	NYLON WIRE TIE, 6" heavy duty	12	2.00
	3720	NYLON WIRE TIE, 8" heavy duty	12	2.00
	7709	NYLON WIRE TIE, 4" light duty	12	1.25
ac	6711	RESISTOR, throttle control, Yokomo	1	15.00
ac	6712	WIPER, throttle control	2	2.50
ac	6713	RESISTOR MOUNTING BRACKET	1	2.00
ac	6714	BYPASS KIT, for throttle resistor	1	3.50
cde	6726	NEW IMPROVED SERVO TAPE, black roll,	1	2.50

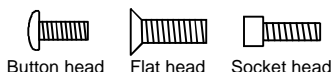
		36" length		
ac	3736	FAST-CHARGE CORD, 6-cell packs	1	5.50
	6736	FAST-CHARGE CORD, 7-cell packs	1	5.50
	6742	CONNECTOR, 2 male-pin, 7" silicon lead	1	2.50
	6743	CONNECTOR, 2 female-pin 7" silicon lead	1	2.50
ac	6744	WIRE HARNESS, input, 3-pin, w/radio diode	1	4.50
ac	6745	WIRE HARNESS, output, 2-pin, with motor capacitor	1	3.00
ac	6746	ADAPTER, Tamiya batt. to RC10 or charger	1	4.00
	6747	WIRE HARNESS, output, Tamiya plug with B.E.C connector	1	3.00
	6774	RESISTOR, replacement for #6772 chargers	2	4.75

HARDWARE

LIGHTWEIGHT ALUMINUM & NYLON HARDWARE

	6910	LIGHTWEIGHT ALUM. SCREW SET for World's Car, blue anodized, will also work for most RC10's. 49 screws	set	12.00
	6911	LIGHT WEIGHT ALUM. SCREW SET for Losi XX buggy and truck, blue anodized. 35 screws	set	9.00
	3325	ALUM. FLAT HEAD Machine screw, 8-32 X 1 1/4"	6	1.50
all	6280	ALUMINUM FLAT HEAD Machine screw, 8-32 X 1/2"	16	2.00
all	6281	ALUM. FLAT HEAD Machine screw 8-32 X 7/8"	6	2.00
	7658	FLAT HEAD MACHINE screw, 8-32 X 3/8"	6	2.00
	6284	ALUM. SOCKET Head Cap screw, 4-40 X 1/4"	12	4.00
	4145	ALUM. SOCKET HEAD Cap screw, 4-40 X 5/16"	4	1.50
e	6860	ALUMINUM SCREW, 4-40 X 3/8"	6	2.50
	7873	SOCKET HEAD Cap screw, 4-40 X 7/16" aluminum	8	2.50
	7801	SOCKET HEAD Cap screw, 4-40 X 5/8", aluminum	8	2.50
	6939	ALUM. FLAT HEAD Socket, 4-40 X 1/4"	6	2.00
	6933	ALUM. FLAT HEAD Socket, 4-40 X 5/16"	6	2.00
e	6934	ALUM. FLAT HEAD Socket, 4-40 X 3/8"	6	2.00
	6938	ALUM. FLAT HEAD Socket, 4-40 X 1/2"	6	2.00
e	6935	ALUM. SOCKET HEAD Cap screw, 4-40 X 1"	4	3.00
	6936	ALUMINUM WASHER, #4	10	1.00
all	3323	WASHER, #8	12	1.50
	8182	SPECIAL NUT, 8-32, alum. plain nut	6	2.00
cde	3438	ALUMINUM LOCK NUT, 8-32	3	1.50
	4184	NYLON LOCKNUT, 4-40	6	1.00
cd	4185	NYLON LOCKNUT, 8-32	6	1.00
	4449	4-40 ALUM. LOCKNUT, small pattern (gold anodized)	5	2.50
	6222	SELF-THREADING NYLON LOCKNUT, 4-40 & 5-40, for #6220 axles	8	2.00
	6937	ALUMINUM LOCKNUT, 4-40 (blue anodized)	6	3.00

STANDARD SCREWS



cd	3216	WASHER, #4	12	1.00
	3721	SELF-TAPPING SCREW, 2-56 X 1/4"	12	1.00
	6242	FRONT WHEEL LOCKNUT, 4-40	6	1.00
abcd	6285	SOCKET HEAD Cap screw, 4-40 X 1/4"	12	2.00
all	6288	BUTTON HEAD Socket screw, 4-40 X 1/4"	6	2.00
b	6291	FLAT HEAD Socket screw, 4-40 X 1/4"	6	2.00

all	6292	FLAT HEAD Socket screw, 4-40 X 3/8"	6	2.00
all	6295	NUTS, 4-40, 6 each plain nut, nylon and steel locknut	18	2.00
all	6296	NUTS, 8-32, 6 each alum. and nylon	12	3.00
	7260	THIN NUTS, 4-40, for ball ends	12	2.00
	6917	BUTTON HEAD Socket screw, 4-40 X 3/8"	6	2.00
	6918	BUTTON HEAD Socket screw, 4-40 X 1/2"	6	2.00
ce	6919	BUTTON HEAD Socket screw, 4-40 X 5/16"	6	2.00
cde	6920	BUTTON HEAD Socket screw, 4-40 X 3/16"	6	2.00
all	6922	FLAT HEAD SOCKET screw, 4-40 X 1/2"	6	2.00
	6923	FLAT HEAD SOCKET screw, 4-40 X 3/4"	6	2.00
	6916	4-40 x 1/2" SOCKET HEAD Cap Screw SPECIAL w/hole	4	2.00
all	6924	SOCKET HEAD Cap screw, 4-40 X 3/8"	6	2.00
all	6925	SOCKET HEAD Cap screw, 4-40 X 1/2"	6	2.00
c	6926	SOCKET HEAD Cap screw, 4-40 X 5/8"	6	2.00
all	6927	SOCKET HEAD Cap screw, 4-40 X 3/4"	6	2.00
abcd	6928	SOCKET HEAD Cap screw, 4-40 X 1"	6	2.00
abcd	6929	SOCKET HEAD Cap screw, 4-40 X 3/8" with hole	4	2.50
bcde	6930	SOCKET HEAD Cap screw, 4-40 X 3/4" special	6	2.00
acde	6931	FLAT HEAD Machine screw, 8-32 X 1/4"	6	1.00
cde	6932	SOCKET HEAD Cap screw, 4-40 X 5/16"	6	2.00
	7874	SOCKET HEAD Cap Screw 4-40 x 7/16"	8	2.50
	7658	ALUM. FLAT HEAD MACHINE screw, (black) 8-32 x 3/8"	6	2.00
	7672	FLAT HEAD SOCKET screw, 4-40 x 7/8"	6	2.00
	7673	FLAT HEAD SOCKET screw, 4-40 x 5/16"	6	2.00
	7738	SOCKET HEAD CAP screw, 4-40 x 7/8"	2	1.00
	7633	BUTTON HEAD SOCKET screw, 4-40 x 5/8"	6	2.00
e	6951	SET SCREWS & WRENCH, 4-40 X 1/8"	6	2.50

MISCELLANEOUS

Request Associated's Pictorial Catalog for pictures of these items

EQUIPMENT CARRIER

	SP-100	ASSOCIATED CAR CARRIER BOX, cardboard outer box w/locking end flap (fits inside #SP-415 carrier bag), includes three 24" X 12" X 6" inner boxes. Due to its large size, an additional \$15.00 must be added to UPS standard shipping charges	1	15.00**
	SP-101	INNER BOXES 24" X 12" X 6". Replacement cardboard inner boxes for #SP-100 car carrier box	3	5.25**
	SP-415	ASSOCIATED CAR CARRIER BAG, black nylon with brass zipper. Fits #SP-100 car carrier box	1	39.95**

APPAREL

	SP-39	RC10DS T-SHIRT, Full color of RC10DS cars. Same design both sides. Specify sizes M, L, XL DISCONTINUED	1	
	SP-410	TEAM ASSOCIATED JACKET, red, white & blue. Fully lined. Specify L, XXL	1	45.00**

VIDEOS CALL FOR AVAILABILITY

	6977	VHS VIDEO, "R/C Car Racing '95"	1	19.95
	6978	VHS VIDEO, "R/C Car Racing '96". Featuring highlights from 1996's most exciting races from around the world!	1	19.95
	6978P	PAL VIDEO, "R/C Car Racing '96". Featuring highlights from 1996's most exciting races from around the world!	1	19.95

RC10 ON-ROAD

FRONT WHEELS & TIRES

	8125	ON ROAD FRONT WHEEL, (uses #6902 ball bearing for RC10)	pr	5.00
	8125B	ON ROAD FRONT WHEEL, black (uses #6902 ball bearing for RC10)	pr	5.00
	8125Y	ON ROAD FRONT WHEEL, fluorescent yellow (uses #6902 ball bearing for RC10)	pr	5.00
	8126	ON ROAD FRONT WHEEL, chrome finish, (uses #6902 ball bearing for RC10)	pr	8.00
	6902	BALL BEARING, for one front wheel	pr	15.00
	8130	FRONT TIRE DONUT, Green	pr	6.00
	8131	FRONT TIRE DONUT, Black	pr	4.50
	8132	ATLANTIC GOMME rubber, front, unmounted	pr	14.00
	8140	ON ROAD FRONT WHEEL/TIRE, Green compound, mounted and trued, (uses #6902 ball bearing for RC10)	pr	12.00
	8141	ON ROAD FRONT WHEEL/TIRE, Black compound, mounted & trued, (uses #6902 ball bearing for RC10)	pr	12.00

REAR WHEELS & TIRES

	6940	ON ROAD REAR WHEEL	pr	6.00
	6941	ON ROAD REAR WHEEL, chrome finish,	pr	9.00
	8155	REAR TIRE DONUT, Green	pr	8.50
	6945	ON ROAD REAR WHEEL/TIRE, Green compound, mounted/trued	pr	17.00